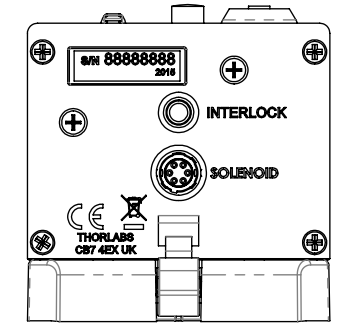
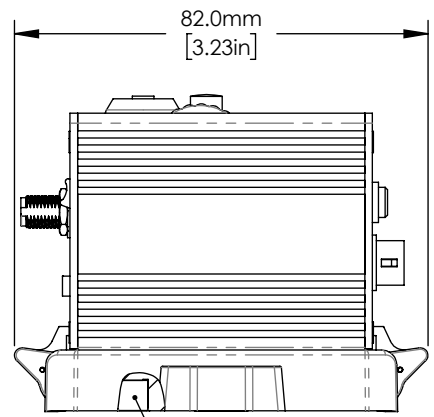
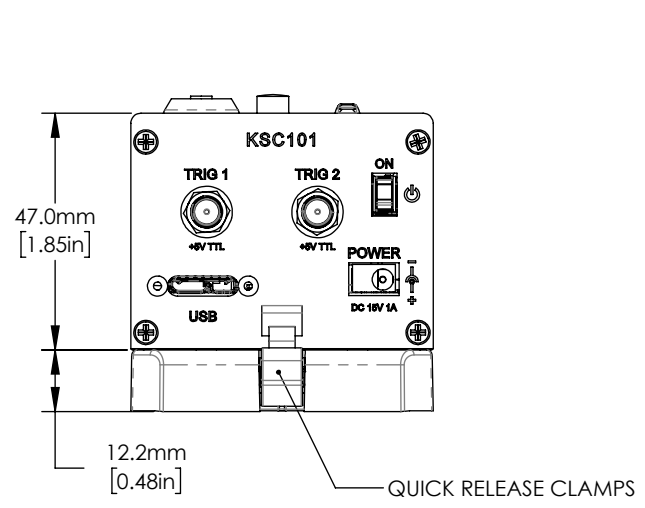
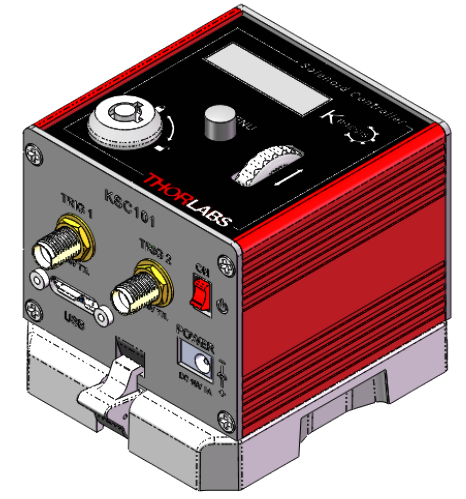
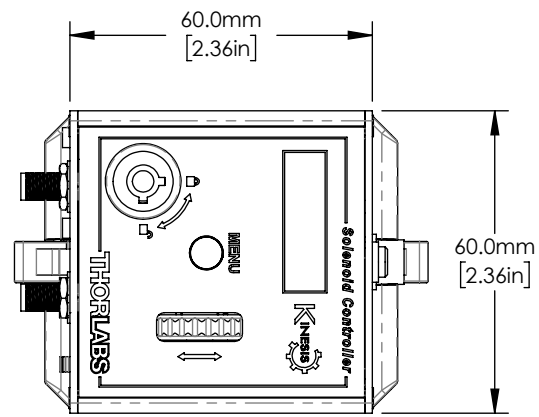


ADAPTER PLATE



FOR INFORMATION ONLY  
NOT FOR MANUFACTURING PURPOSES

DRAWING PROJECTION					<b>THORLABS</b> www.thorlabs.com	
NAME	DATE	KINESIS SOLENOID CONTROLLER				
DRAWN	SP	26/05/16	MATERIAL		REV	
APPROVAL	DC	26/05/16	N/A		A	
COPYRIGHT © 2016 BY THORLABS			ITEM #	APPROX WEIGHT		
VALUES IN PARENTHESIS ARE CALCULATED AND MAY CONTAIN ROUND OFF ERRORS			KSC101	0.14 kg		