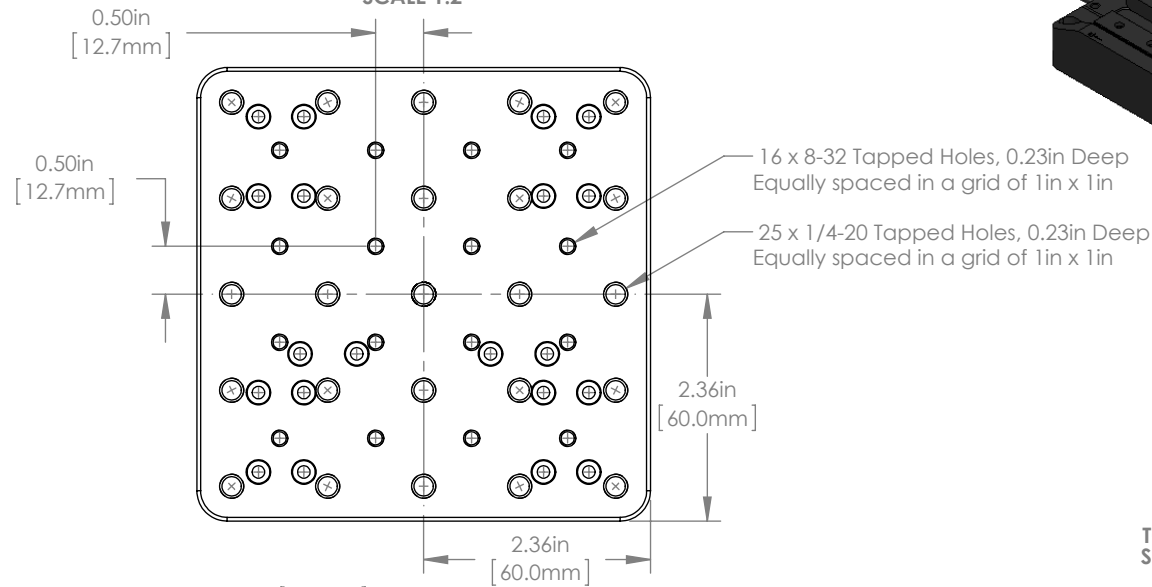
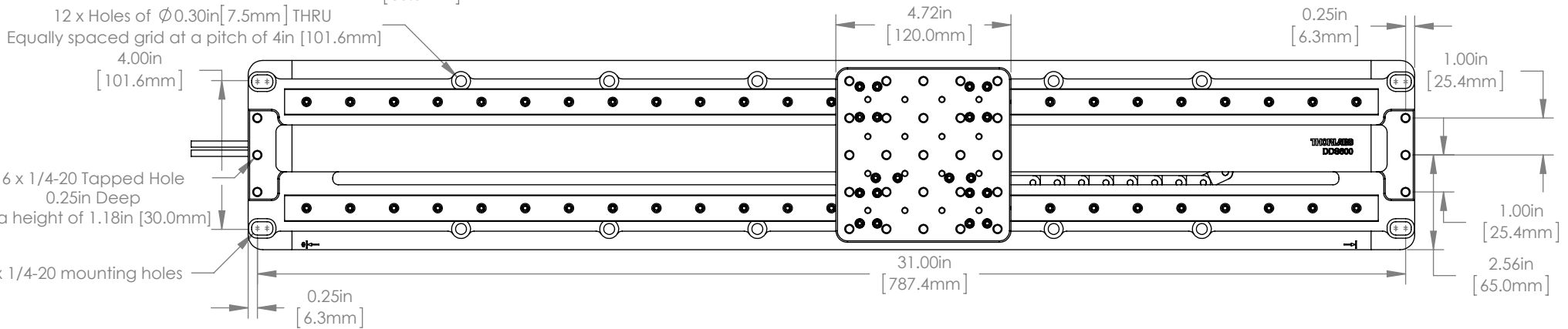


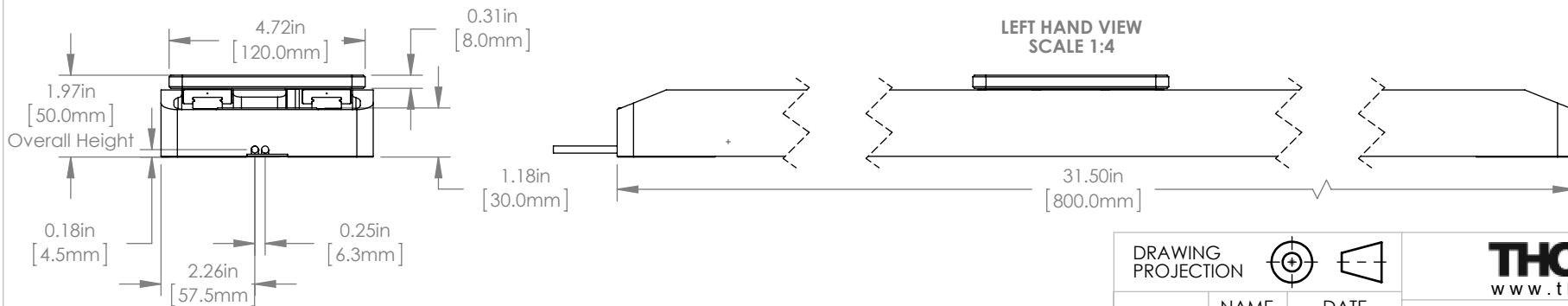
**TOP VIEW OF THE CARRIAGE
SHOWING MOUNTING HOLES
SCALE 1:2**



**TOP VIEW
SCALE 1:4**



**LEFT HAND VIEW
SCALE 1:4**



FOR INFORMATION ONLY
NOT FOR MANUFACTURING PURPOSES

DRAWING PROJECTION

| | NAME | DATE |
|----------|------|-----------|
| DRAWN | SF | 13 MAY 13 |
| APPROVAL | MR | 13 MAY 13 |

COPYRIGHT © 2013 BY THORLABS

VALUES IN PARENTHESIS ARE CALCULATED AND MAY CONTAIN ROUND OFF ERRORS

THORLABS
www.thorlabs.com

600 MM Direct Drive Stage, Imperial

MATERIAL N/A REV A

ITEM # DDS600-E APPROX WEIGHT 9.1 kg