

# Dhyana 4040

## Ultra-large area array sCMOS camera



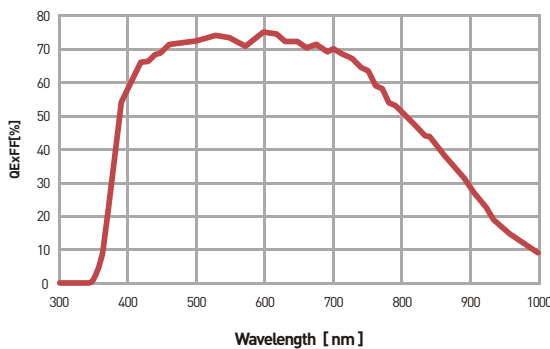
www.tucsen.com



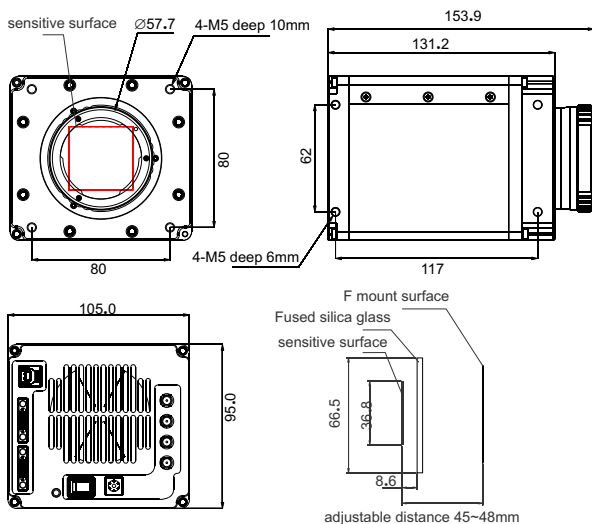
### Product Advantages

- 3.2 inch ultra-large area array
- 4096\*4096 high resolution
- 9μm x 9μm large pixel
- Long exposure time supported
- High full well capacity
- Excellent cooling performance

Spectral Response



### Product structure



### Specifications

Model	Dhyana 4040
Sensor model	G4040FSI (FSI sCMOS)
Chip size	3.2 inch
Color/monochrome	Mono
Quantum efficiency	74%@600nm
Effective no. Of pixels	4096(H) x 4096(V)
Pixel size	9μm x 9μm
Effective area	36.9mm x 36.9mm
Full well capacity	70000e-
Frame rate	Full resolution: 20fps@CameraLink ; 10fps@USB3.0
Readout noise	HDR: 3.6e-(Median)
Shutter type	Rolling shutter
Exposure time	10μs-300s
Bit depth	16bit
Dynamic range	86 dB
Cooling method	Forced air (Optional Liquid)
Dark current	0.05e-/s/pix@-20°C (ambient at +20°C)
PRNU/DSNU	PRNU 0.2%, DSNU 0.5e-
Binning	2x2/4x4
Sub-array	Support
Anti-Dew	Support
External trigger mode	Hardware: Standard; Software
Trigger delay function	0-10s(1μs steps)
Signal output ports	Exposure / Global / Readout / High level / Low level
External trigger routing	SMA
Digital interface	USB3.0 / CameraLink
SDK	Support
Lens mount	F-mount
Power supply	12V / 8A
Power consumption	60W
Camera size	95mm x 105mm x 153.9mm
Camera weight	1800g
PC software	Mosaic 1.6/Samplepro/MAXIMDL/Labview/Matlab
Compatible system	Windows

### Tucsen Photonics Co., Ltd.

Tel: +86-591-28055080

Email: support@tucsen.com

Add: 5# Wanwushe Smart Industrial Park , No.2 Yangqi Branch Rd,  
Gaishan Town, Cangshan Area, Fuzhou, Fujian, PRC, China.

www.tucsen.com